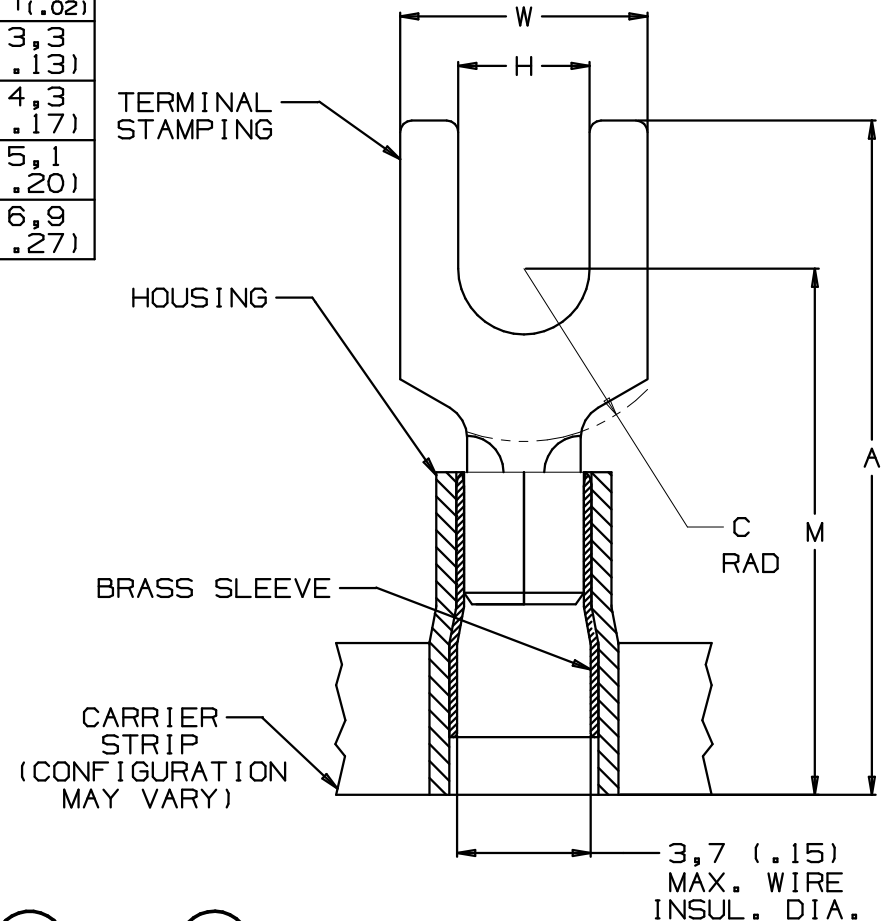


THIS COPY IS PROVIDED ON A RESTRICTED BASIS AND IS NOT TO BE USED IN ANY WAY DETRIMENTAL TO THE INTERESTS OF PANDUIT CORP.

PART NUMBER	STUD SIZE	WIRE RANGE mm <sup>2</sup> (AWG)	DIMENSIONS mm				
			A ±.80 (.03)	W ±.25 (.01)	C ±.38 (.01)	M ±.50 (.02)	H ±.50 (.02)
PMN1-3F-3K	M3	0,5-1,5 (22-18)	19,9 (.79)	5,9 (.23)	5,0 (.20)	16,5 (.65)	3,3 (.13)
PMN1-4F-3K	M4	0,5-1,5 (22-18)	21,6 (.85)	8,2 (.32)	5,8 (.23)	17,3 (.68)	4,3 (.17)
PMN1-5F-3K	M5	0,5-1,5 (22-18)	21,8 (.86)	8,9 (.35)	6,3 (.25)	17,8 (.70)	5,1 (.20)
PMN1-6F-3K	M6	0,5-1,5 (22-18)	26,4 (1.04)	11,2 (.44)	8,4 (.33)	20,1 (.79)	6,9 (.27)

NOTES:

- USED FOR:
  - 600V MAX. BUILDING WIRE  
1000V MAX. IN SIGNS, FIXTURES, AND LUMINAIRES
  - 105°C (221°F) MAX. TEMP. RATING OF INSUL. MAT'L
  - SOLID OR STRANDED COPPER WIRE
- PACKAGE QTY:  
3K = 3000 PCS. ON CONTINUOUSLY MOLDED CARRIER STRIP
- MATERIAL:
  - STAMPING: .81 (.03)THK. COPPER, TIN PLATED
  - SLEEVE: BRASS, TIN PLATED
  - HOUSING: TYPE 6/6 NYLON, RED
- WIRE STRIP LENGTH:  $5,6^{+,8}_{-0}$  ( $7/32^{+1/32}$ )
- DIMENSIONS IN BRACKETS ARE IN INCHES OR AWG
- UL LISTED AND CSA CERTIFIED WITH COPPER 22-18AWG WIRE ONLY



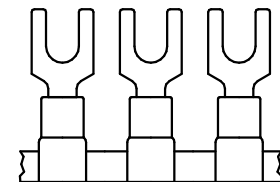
		PANDUIT PRESS					
		CP-851 <i>DISCONTINUED</i>	CP-860 <i>DISCONTINUED</i>	CP-861	CP-862	CP-871 60HZ	CP-871/E 50HZ
APPLICATORS	CA-800		X	X			
	CA-800EZ	X				X	X
	CA9				X	X	X



LISTED  
587H  
E52164



CERTIFIED  
LR31212



A41610\_01

							<b>PANDUIT</b> CORP.		TINLEY PARK, ILLINOIS		
01	3/06	DAW	DAW	ADDED PANDUIT PRESS & APPLICATOR TABLE	TR00083			0,5-1,5 mm <sup>2</sup> METRIC CONTINUOUSLY MOLDED, NYLON INSULATED FORK TERMINAL			
00	9/97	JKD	WJB	RELEASED	6191	LA	DBH				
REV	DATE	BY	CHK	DESCRIPTION	ECN #	CUST	PM	DRAWN BY	CHK'D	SCALE	DRAWING NO.
								TSM		NONE	A41610